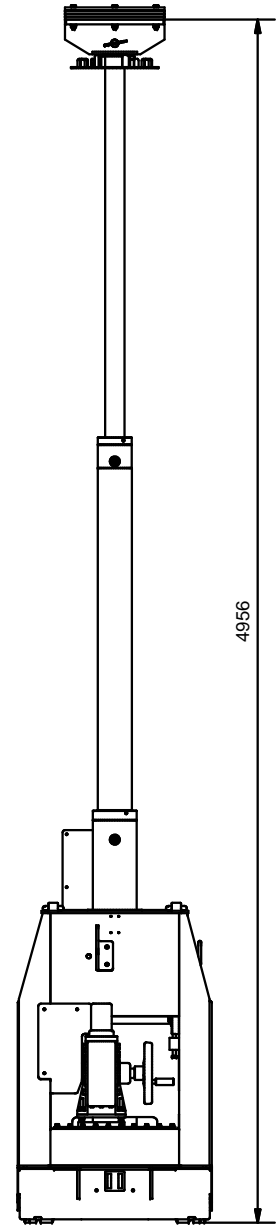
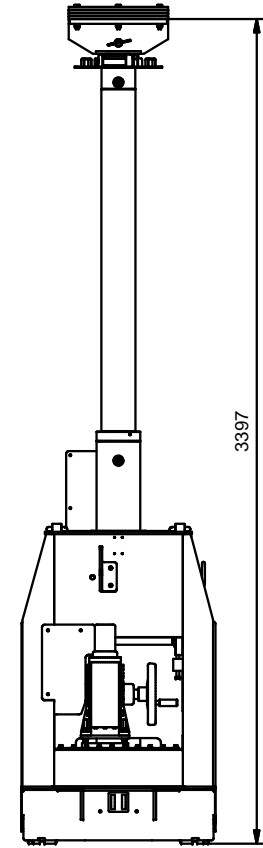
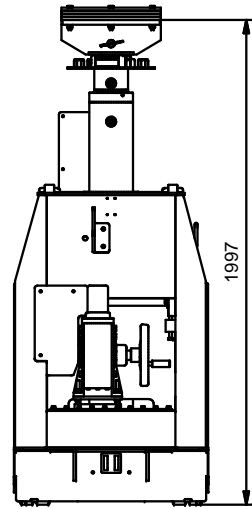
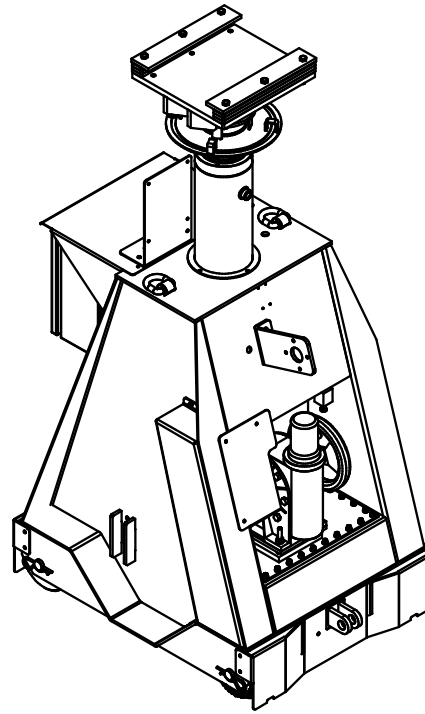
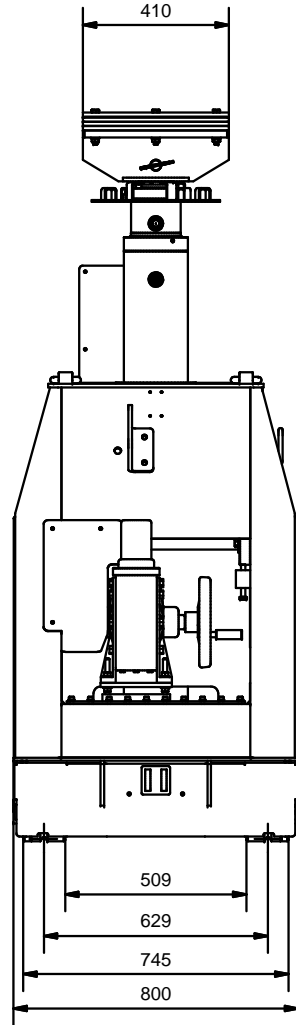
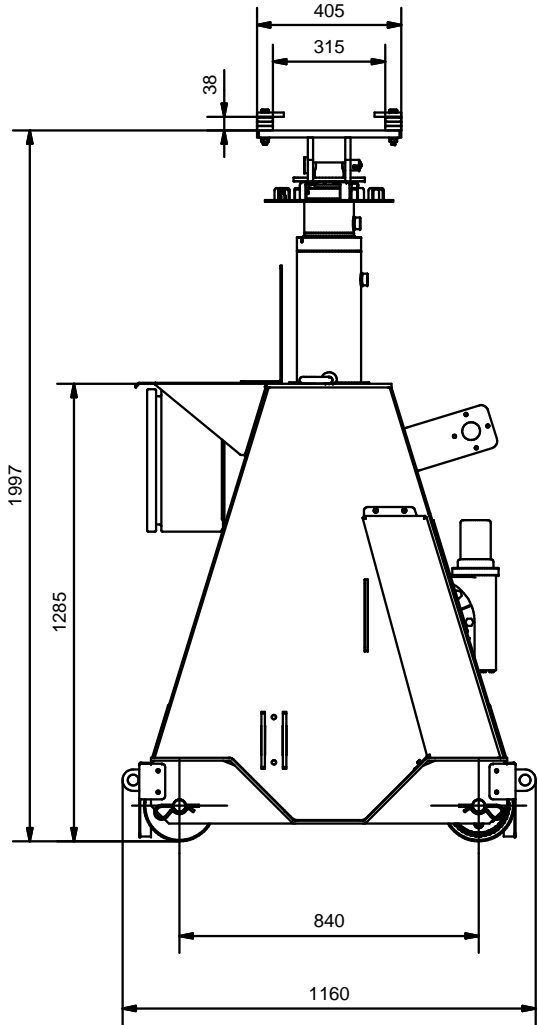


Features SL60

| | | |
|--------------------------|---------|------------|
| Safe Work Load Stage 1: | 150 kN | (34 kips) |
| Safe Work Load Stage 2: | 150 kN | (34 kips) |
| Self Weight (incl. oil): | 1050 kg | (2315 lbs) |



OPAALSTRAAT 44, 7554 TS HENGELO HOLLAND
 PO BOX 421, 7550 AK HENGELO HOLLAND
 TELEPHONE 074-2422045 FACSIMILE 074-2430338

ENERPAC
 COPYRIGHTS RESERVED

3rd ANGLE
 PROJECTION

Model Number: **SL60**

Drawing Number: **02972.50.00.00**

Main Assembly Number: **02972.01.00.00**

REV: **0** DATE: **31-10-2013** SCALE: **1:15** FORM: **A3**